



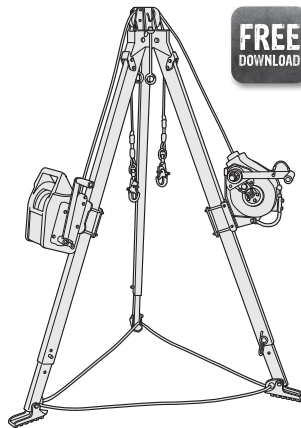
www.gmesupply.com
(800) 940-6762
info@gmesupply.com

CONFINED SPACES

Confined spaces vary in size, shape, location, and environment. There's not a standard or typical application, so your confined space safety equipment must be flexible as well. Consistent anchorage is rarely found from one job to the next. Some confined spaces like a manhole on a street will require vertical equipment, but others like a tank would have a side-entry or horizontal requirement.

Choosing the right confined space entry and rescue equipment can be difficult. Temporary jobs require lightweight and easy-to-use portable confined space systems. For areas that are accessed frequently a davit system with a permanently mounted base would be more ideal.

Lifeline type and length are another variable to consider. In some situations, a back-up system may be required. Typical mechanical devices include man-rated winches and 3-way retracting lifelines with both fall protection and emergency rescue functions.



FREE
DOWNLOAD