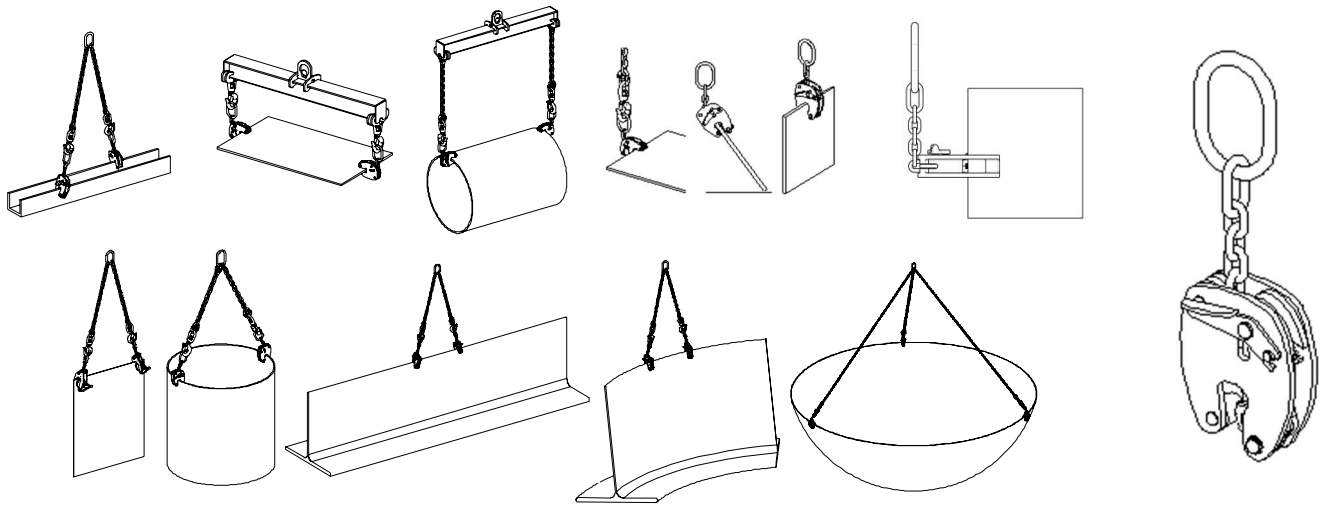


APPLICATIONS

Lifting and revolving of plates, profiles, fabricated assemblies, steel frames...



DESCRIPTION

Clamps fitted with a safety spring mechanism for a permanent contact of the cam onto the piece to be lifted, even when it is being put down. The locking lever does not stick out so that the clamp may be used on the bare ground. The chain enables the revolving and makes the clamp's positioning easier. The corrugated cam only marks one side of the load.

FUNCTIONING

So as to open the clamp's cam, push the locking lever downwards. The locking appears automatic when the lever is being freed. The clamp's corrugated cam penetrates into the load's material. Lifting ensures proportional clamping, thus avoiding marking the load excessively.

Loads may be grasped horizontally or vertically and revolved in inverse position (90 or 180°).

The pieces can as well be taken from the side in order to tip them over

Remark concerning 1, 2 and 3 t models:

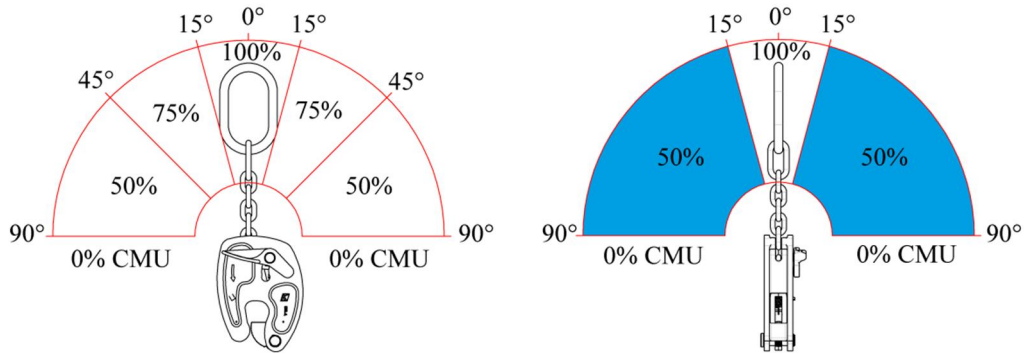
Keeping the cam open is possible by pushing the locking lever down against the clamp's body, until the lever retainer pin is activated in its housing on the clamp's flange.

To release, slightly pull the lever outwards so as to disengage the lever's pin from its housing.

GENERAL CHARACTERISTICS

- Manufactured without load bearing welds.
- Hot epoxy coating.
- Safety factor: 3 in accordance with the EN 13155.2003 norm.
- Every clamp is tested twice the working load limit.
- 1 year warranty against any defect of fabrication.

USE



		LIFTING	TURNING
VERTICAL PLATE	ONE CLAMP	<p>WLL at 100% +/- 15° around the vertical</p>	<p>WLL reduced with 50%</p>
	2 CLAMPS WITHOUT LIFTING BEAM	<p>WLL reduced with 50% if lifting angle exceeds 30°</p>	
HORIZONTAL PLATE	ONE CLAMP		<p>WLL reduced with 50%</p>
	2 CLAMPS WITH LIFTING BEAM	<p>WLL reduced with 50%</p>	
	2 CLAMPS WITHOUT LIFTING BEAM		

IMPORTANT INSTRUCTIONS

- Do not use for fragile loads.
- Using a KS marks the load..
- The plate or piece to be lifted must always be driven home into the throat of the clamp...
- Load maximum surface hardness: 300 HB and minimum tensile strength 20 daN/ mm².
- Some stainless steels are particularly abrasive ; closely check the condition of the cam's teeth in this case
- For safety's sake, ensure the clamps are always unlocked when not in use (cam closed).
- The minimum weight of lifting load should be equal to 5% of the clamp's WLL (eg if clamps WLL is 1000 kg, then minimum weight is 50 kg). This value is given for a clamp in perfect working order and respecting Tractel Solutions SAS conditions of use and recommendations. Consult Tractel in case of loads with weight inferior to the minimum recommended value.
- Lifting clamps are not suitable for creating permanent joints.
- Never lift more than one plate at a time.
- Ne prendre qu'une tôle à la fois.
- Apply the downgradation if necessary.
- Working temperature: -20° to +100°C

CHARACTERISTICS

Reference	Group code	WLL Kg	Opening Mm		Weight Kg
			min	max	
KS075 0-15	50238	750	0	15	1.55
KS1 0-20	50248	1 000	0	20	3.50
KS2 0-25	50258	2 000	0	25	6.26
KS3 0-30	50268	3 000	0	30	12.1

DIMENSIONS

Reference	Group code	A	B	C	D	E	F	G	Ø ring	J	K	L	Ø chain
		mm											
KS075 0-15	50238	300	129	97	45	39	80	40	10	12	34	53	6
KS1 0-20	50248	426	173	128	60	49	110	60	13	16	43	67	7
KS2 0-25	50258	485	218	161	75	62	110	60	16	19	47	79	8
KS3 0-30	50268	595	260	205	94	85	135	75	18	28	58	96	10

