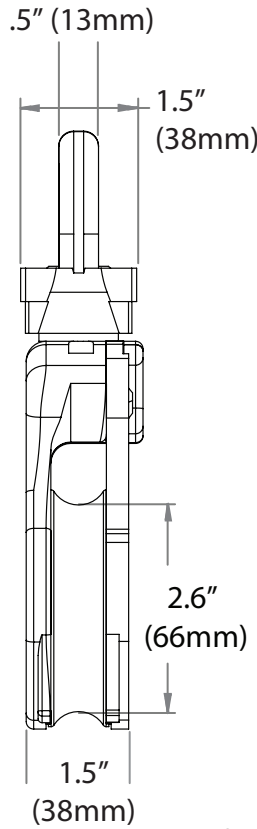
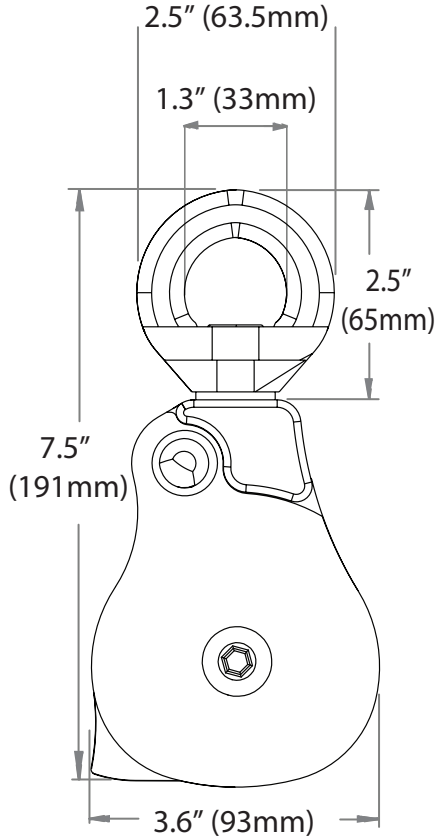


# Omni Rigging-Block

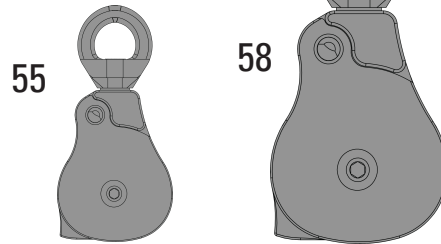


## MHP55

SHEAVE DIAMETER: 2.6" (66mm)  
 MBS: 80 kN  
 WLL: 20kN  
 WEIGHT: 1.9 lb (.85 kg)  
 MAX ROPE: 1/2" (13mm)  
 ASME B30 Compliant



\*RELATIVE SIZE



55

58

## MHP58

SHEAVE Diameter : 4.5  
 MBS: 30,000 lbf (133kN)  
 WLL: 6,000 lbf (26kN)  
 WEIGHT: 5.81 lb (2.64 kg)  
 MAX ROPE: 3/4" (19mm)  
 ASME B30 Compliant

