

rock exotica

GEAR FOR THE Z AXIS

MACHINED RESCUE PULLEY 1.5"

The Machined Rescue Pulley in single sheave and double sheave raise the bar for their impressive strength, slim profile and a quality of manufacture that is second to none.

	P22 (SINGLE)	P22 D (DOUBLE)
MBS:	36 kN	36 kN
Sheave Dia:	1.5"	1.5"
Max Rope:	13mm	13mm
Weight:	5.0 oz	9.1 oz
Type:	Bearing	Bearing
Certification:	CE	Pending CE

See page 2 for full specifications



Double Rescue Pulley shown

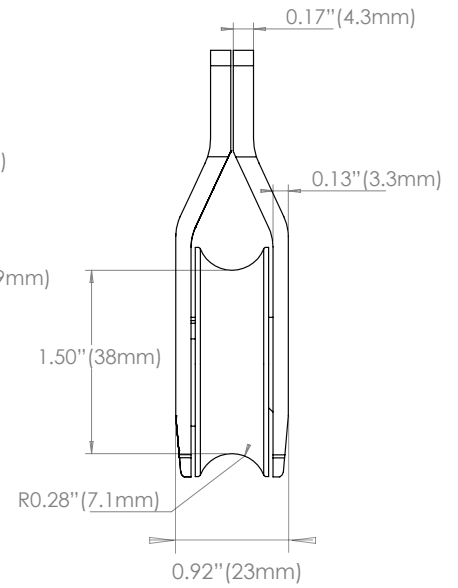
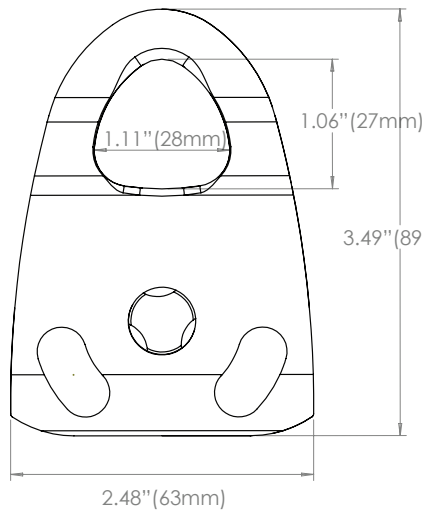
- Recessed axle screw sits flush to pulley sideplates, creating slim, snag-free profile.
- Machined—not stamped parts, create a stronger pulley, increasing its strength-to-weight ratio.
- Axle is integrated into sideplates, adding additional strength and rigidity to the pulley.
- Machined sideplates allow for a more compact design while maintaining the same rope capacity of other pulleys.

MACHINED PULLEYS — WHY THEY'RE SPECIAL



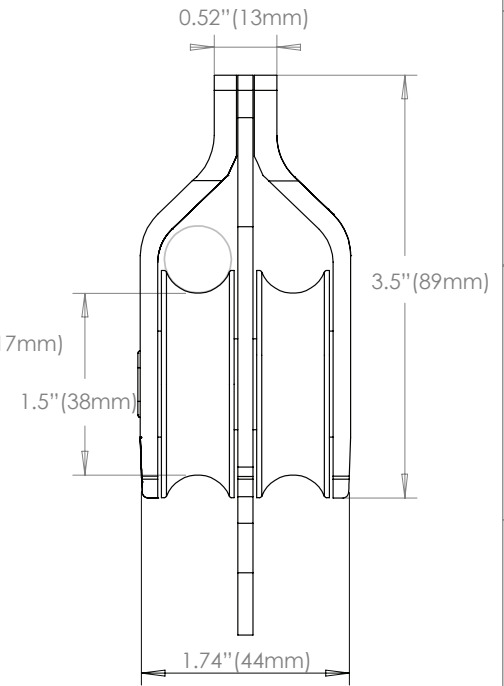
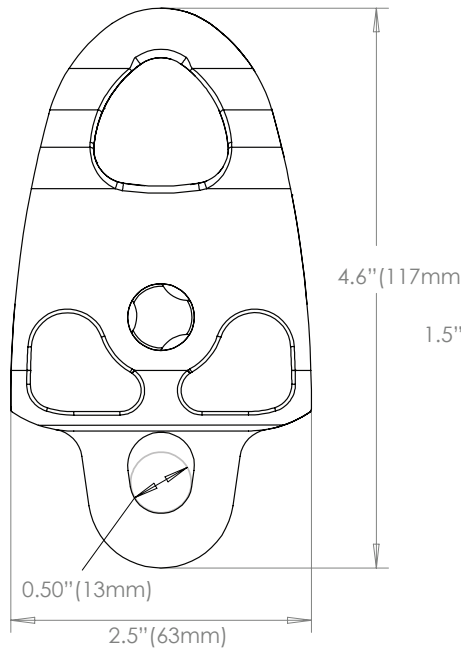
P22 - RESCUE PULLEY, SINGLE SHEAVE

MBS:	36 kN
Working Load Limit:	8kN
Sheave Diameter:	1.5" (38mm)
Max Rope Diameter:	13mm
Weight:	5.1 oz (144gm)
Body Material:	Aluminum Alloy
Sheave Type:	Bearing
Sheave Material:	Aluminum Alloy
Width:	2.5" (63mm)
Height:	3.5" (89mm)
Depth:	0.9" (23mm)
Certification:	CE



P22 D - RESCUE PULLEY, DOUBLE SHEAVE

MBS:	36 kN
Working Load Limit:	8kN
Sheave Diameter:	1.5" (38mm)
Max Rope Diameter:	13mm
Weight:	9.0 oz (254gm)
Body Material:	Aluminum Alloy
Sheave Type:	Bearing
Sheave Material:	Aluminum Alloy
Width:	2.5" (63mm)
Height:	4.6" (117mm)
Depth:	1.7" (44mm)
Certification:	Pending CE



OTHER VIEWS

